

# 温度保险丝

DC-Alloy Thermal-Link (DC-ATCO)

RQF Series  $I_r$ : 10 A

DC-ATCO

DC-ATCO



## 特性 Features

- 0 to 450 VDC 工作电压 Operating Voltage
- 动作温度精确 High Accuracy of Functioning Temp.
- 陶瓷外壳 Ceramic Case
- 一次性动作不可复位 Non-Resettable
- 符合RoHS、REACH要求 RoHS & REACH Compliant

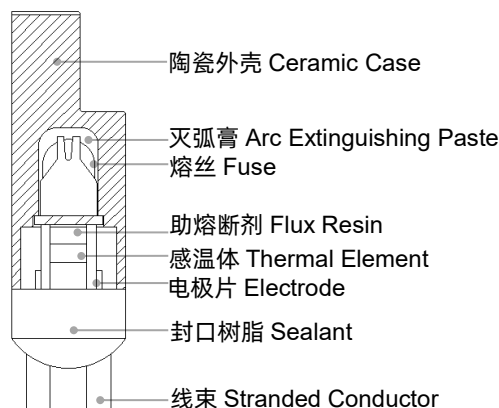
## 应用 Applications

- 电池冷却系统 Battery Cooling Systems
- 预先充电电阻 Pre-charged Resistors
- 汽车空调 Automotive Air-Conditioners
- 加热器 Heaters

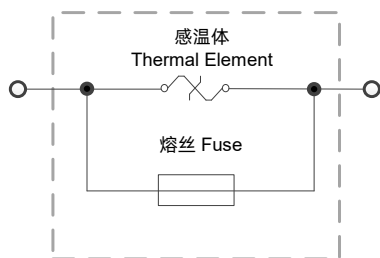
## 定制 Customization

- 额定动作温度 Rated Functioning Temp.
- 线束的形状 The Shape of Stranded Conductor

## 结构图 Structure Diagram



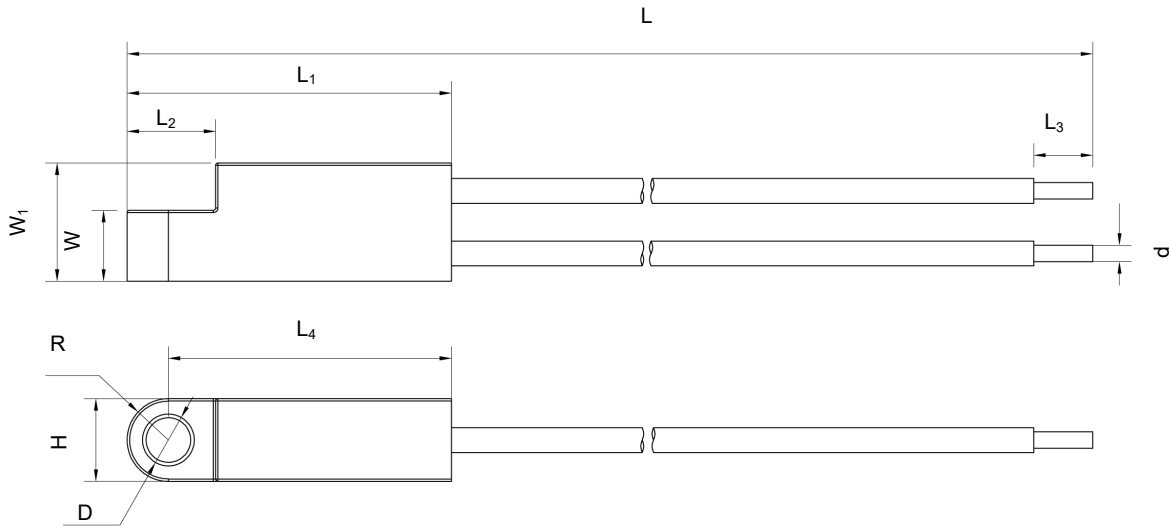
## 产品原理图 Product Schematic



## 安规认证 Agency Approvals

| 认证标志<br>Agency Mark | 标准<br>Standards | 认证号<br>File No. |
|---------------------|-----------------|-----------------|
|                     | UL60691         | On-going        |
|                     | CAN-CSA-E60691  | On-going        |

尺寸 Dimensions (mm)



| L           | L <sub>1</sub> | L <sub>2</sub> | L <sub>3</sub> | L <sub>4</sub> | W         | W <sub>1</sub> | H         | R         | D         | d     |
|-------------|----------------|----------------|----------------|----------------|-----------|----------------|-----------|-----------|-----------|-------|
| 127.5 ± 0.5 | 27.5 ± 1.0     | 7.5 ± 0.5      | 5.0 ± 0.5      | 24.0 ± 1.0     | 6.0 ± 0.5 | 10.0 ± 1.0     | 7.0 ± 0.5 | 3.5 ± 0.2 | 3.8 ± 0.2 | AWG16 |

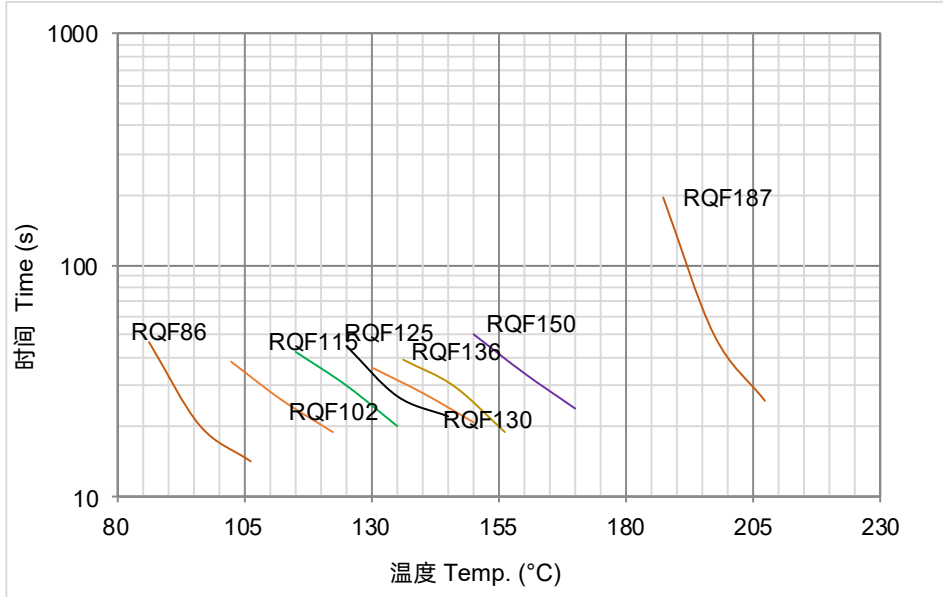
技术参数 Specifications

| 型号<br>Model | 额定动作<br>温度<br>$T_f$ | 带载动作温度<br>Fusing Temp.<br>with Load | 保持<br>温度<br>$T_h$ | 极限<br>温度<br>$T_m$ | 最小断开<br>电流<br>$I_{min}$ | 额定电流<br>$I_r$ | 额定电压<br>$U_r$ | UL <sup>®</sup> | cUL <sup>®</sup> | TUV <sup>®</sup> | VDE <sup>®</sup> | CCC <sup>®</sup> | RoHS<br>REACH |
|-------------|---------------------|-------------------------------------|-------------------|-------------------|-------------------------|---------------|---------------|-----------------|------------------|------------------|------------------|------------------|---------------|
|             | (°C)                | (°C)                                | (°C)              | (°C)              | (A)                     | (A)           | (V)           | UL              | cUL              | TUV              | VDE              | CCC              |               |
| RQF86-FQS   | 86                  | 77 ± 3                              | 45                | 250               | 3                       | 10            | DC 450        | ○               | ○                | ○                | ○                | ○                | ●             |
| RQF102-FQS  | 102                 | 95 ± 3                              | 75                | 250               | 3                       | 10            | DC 450        | ○               | ○                | ○                | ○                | ○                | ●             |
| RQF115-FQS  | 115                 | 110 ± 3                             | 85                | 250               | 3                       | 10            | DC 450        | ○               | ○                | ○                | ○                | ○                | ●             |
| RQF125-FQS  | 125                 | 116 ± 3                             | 85                | 250               | 3                       | 10            | DC 450        | ○               | ○                | ○                | ○                | ○                | ●             |
| RQF130-FQS  | 130                 | 119 ± 3                             | 95                | 250               | 3                       | 10            | DC 450        | ○               | ○                | ○                | ○                | ○                | ●             |
| RQF136-FQS  | 135                 | 124 ± 3                             | 100               | 250               | 3                       | 10            | DC 450        | ○               | ○                | ○                | ○                | ○                | ●             |
| RQF150-FQS  | 150                 | 143 ± 3                             | 115               | 250               | 3                       | 10            | DC 450        | ○               | ○                | ○                | ○                | ○                | ●             |
| RQF187-FQS  | 187                 | 183 ± 3                             | 155               | 250               | 3                       | 10            | DC 450        | ○               | ○                | ○                | ○                | ○                | ●             |

### 温度-时间曲线 Temp.-Time Curve

描绘了温度保险丝在不同油池温度下的动作时间曲线。（此曲线仅供参考）

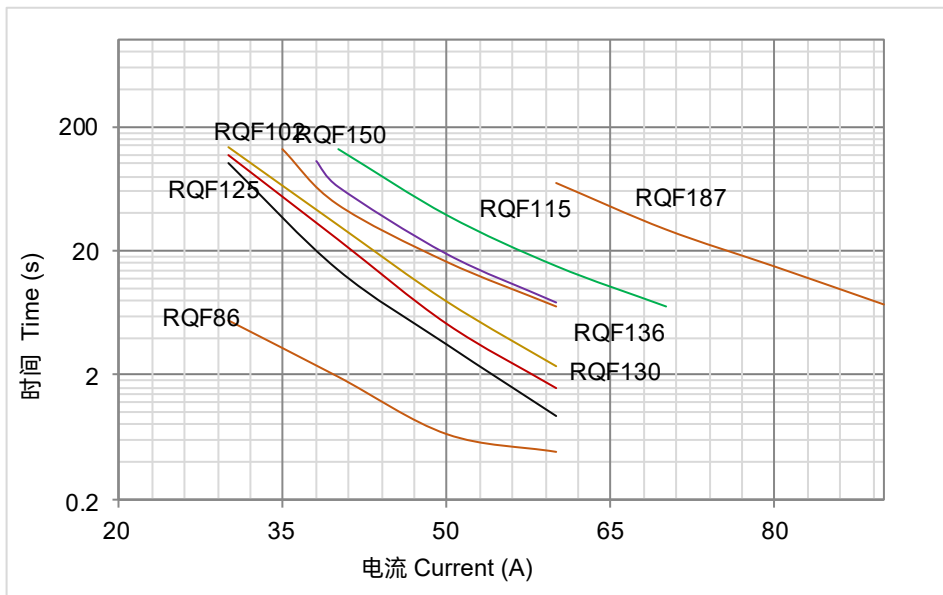
The functioning temperature time curve of Alloy Thermal-Link in different Temp. oil bath. (This curve is for reference only)



### 电流-时间曲线 Current-Time Curve

描绘了温度保险丝在  $25 \pm 2^\circ\text{C}$  室温中，不同倍数额定电流下的断开时间。（此曲线仅供参考）

This is an illustrated curve, describing the opening time at Multi-times rated current in the condition of the room Temp.  $25^\circ\text{C}$ . (This curve is for reference only)



包装信息 Packaging Information

| 项目<br>Item            | PE 袋<br>PE Bag | 纸盒<br>Box      | 纸箱<br>Carton    |
|-----------------------|----------------|----------------|-----------------|
| 尺寸 Dimensions (mm)    | 140 x 94       | 245 x 165 x 67 | 365 x 260 x 385 |
| 数量 Quantity (PCS)     | 5              | 100            | 1000            |
| 毛重 Gross Weight (kg): |                |                | 20 ± 10%        |

DC-ATCO

DC-ATCO

